

**CHARACTERISTICS/TESTS**

In accordance with ANSI C29.9  
 Glaze: Light-grey Munsell Notations N°70  
 Approximate weight 41.4 lbs

**DIMENSIONS**

Minimum leakage distance 24 in

**MECHANICAL VALUES**

Cantilever breaking strength, upright 4000 lbs  
 Cantilever breaking strength, underhung 4000 lbs  
 Tensile breaking strength 20000 lbs  
 Torsional breaking moment 16000 in.lbs  
 Compression breaking strength 20000 lbs

**ELECTRICAL VALUES**

Guaranteed voltage:  
 Critical impulse dry, wave 1.2/50 - positive polarity 170 kV  
 Power frequency wet, withstand 60 kV  
 Impulse dry, wave 1.2/50 - withstand, positive polarity 150 kV

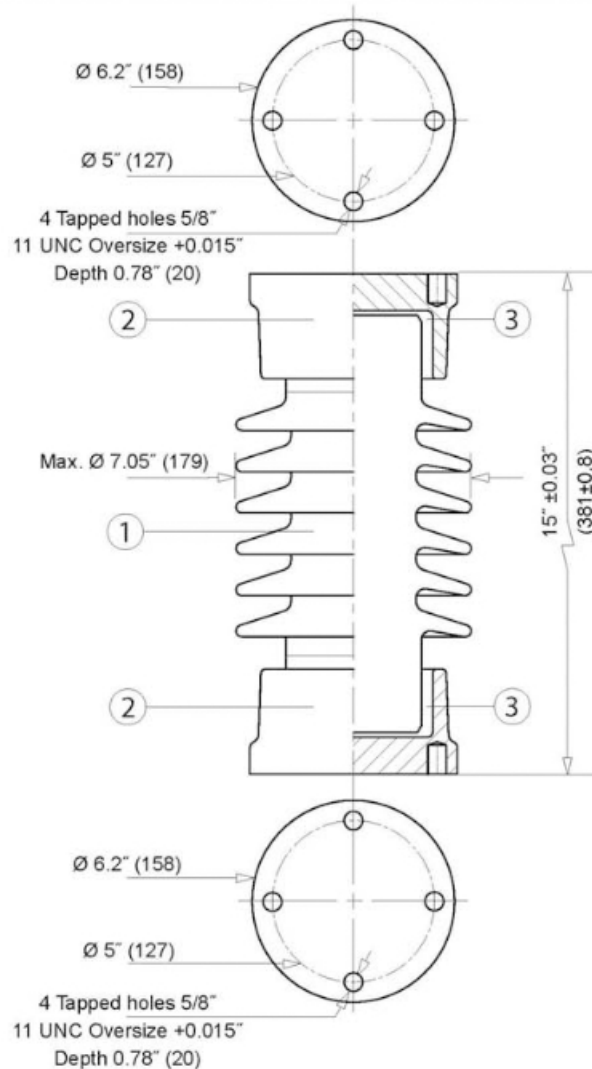
Test voltage 15 kV  
 Maxi RIV at 1 MHz 100 µV

**GENERAL TOLERANCE**

± (0.04d + 0.06) in., if d ≤ 11.8 in.  
 ± (0.025d + 0.24) in., if d > 11.8 in.

**CONVERSION TABLE**

DIMENSIONS	1.	mm	0.03937	inch
	25.4	mm	1	inch
FORCE	1	N	0.22481	pound
	4.448	N	1	pound
MOMENT OF FORCE	1	Nm	8.8495	inch-pound
	0.113	Nm	1	inch-pound



**EGER PRODUCTS, INC.**

**REVISIONS:**

**PROPRIETARY AND CONFIDENTIAL**  
 THE INFORMATION CONTAINED IN THIS DRAWING IS THE SOLE PROPERTY OF EGER PRODUCTS, INC.. ANY REPRODUCTION IN PART OR AS A WHOLE WITHOUT THE WRITTEN PERMISSION OF EGER PRODUCTS INC. IS PROHIBITED.

DATE: 8/1/2014

CUSTOMER:

SCALE: NTS

TR227

DRAWN BY: E. GREEN

DWG. OUTDOOR STATION POST INSULATOR

APPROVED BY:

MATERIAL: